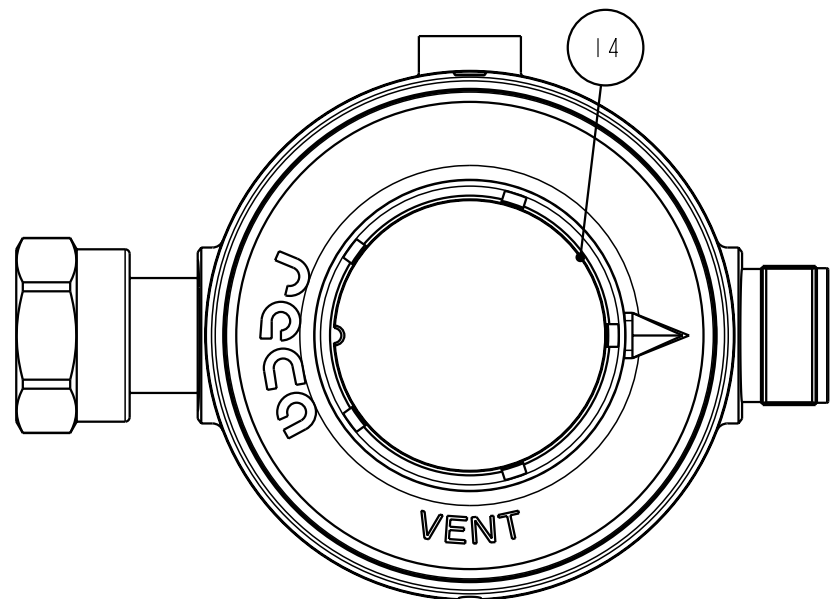
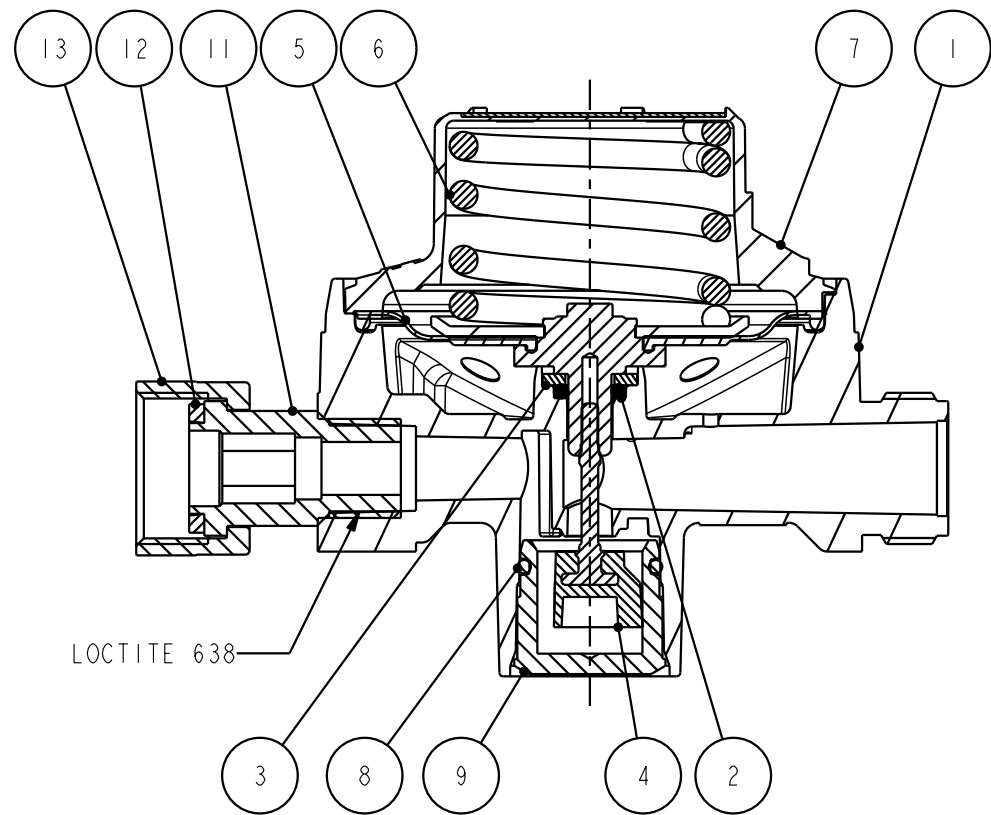
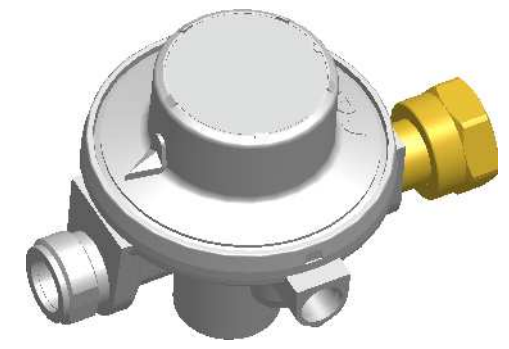
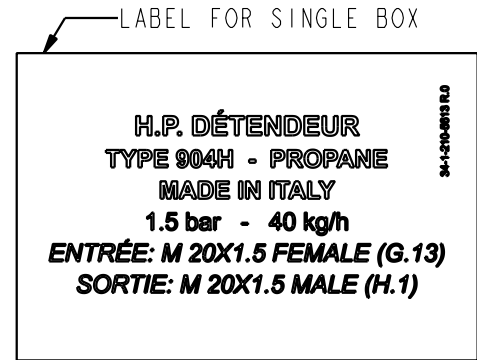
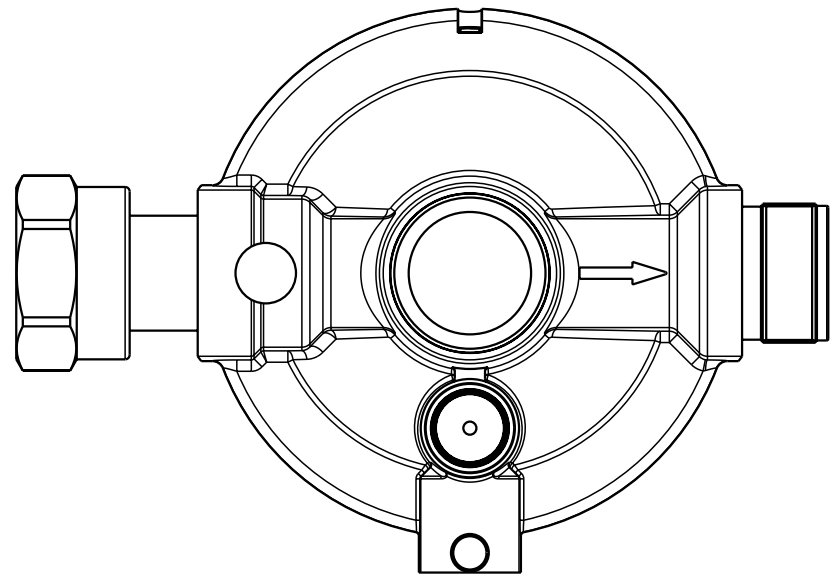


This drawing may not be copied or distributed in any way without the written permission of Cavagna Group Div. RE.CA. Via Matteotti, 5 - Calvisano - BS - Italy



NO	NO PRODUCT	DENOMINATION	Q.TY
1	00-1-150-2062	SCATOLA A.P. Tipo "FRA"-ORIZZ.-lavorata	1
2	04-1-110-0503	ANELLO TOROIDALE	1
3	15-1-110-0022	RONDELLA	1
4	06-1-950-0010	PASTICCA ADERIZZATA	1
5	09-1-950-0039	S/I MEMBRANA MOD.90	1
6	07-1-110-0129	MOLLA DI TARATURA MOD.90 (1.5 bar-FRA)	1
7	01-1-150-0100	COPERCHIO A. P. LAVORATO	1
8	04-1-110-0520	ANELLO TOROIDALE (RIF. J.F. R 6A)	1
9	16-1-110-0304	TAPPO	1
10	24-1-110-0001	WHITE ALUMINIUM RAL 9006	1
11	16-1-110-0146	FITTING	1
12	04-1-110-0014	JOINT M 20x1.5	1
13	10-1-110-0087	ECROU DETENDEUR GPL (CALOTTA M20 X 1.5)	1
14	18-1-110-3724	NAMEPLATE FOR TYPE 904H	1
15	34-1-110-2005	INSTRUCTION FOR TYPE 904 ENI6129 (IT-FR-DE)	1
16	23-1-210-0080	STANDARD SINGLE BOX	1
17	34-1-210-5613	LABEL FOR SINGLE BOX	1
18	23-1-510-0002	STANDARD BOX (R34)	1

	<b>DENOMINATION</b> H.P. REGULATOR TYPE 904H N.A.		PROPANE 1.5 bar 40 kg/h				
	<b>MODEL</b> RECA 904	<b>ORIFICE</b> 5.8	<b>INLET</b> M 20X1.5 FEMALE		<b>OUTLET</b> M 20X1.5 MALE	<b>SHARED</b> N.A.	<b>PROD. INT. GROUP</b> -
<b>PERFORMANCE DOC.</b> 951	<b>COUNTRY</b> SVIZZERA	<b>COUNTRY SPECIFIC</b> N.A.	<b>WEIGHT</b> N.A.	<b>SCALE</b> 1:1	<b>MODIFY FILE</b> N.A.	<b>PRODUCT NO</b> 90-1-490-0093	<b>REV</b> 0
<b>PROD. EVOLUTION</b> DEFINITIVE	<b>PROJECT NO</b> DS07900	<b>RELEASE LEVEL</b> STUDY WIP	<b>DRAWN BY</b> CIGOLINI W.	<b>VERIFIED BY</b> PEDRETTI A.	<b>APPROVED BY</b> TOMASELLI L.	<b>DATE</b> 27/10/21	